

# UK Flooring Direct

## Carpet Plank Installation guide

The carpet planks are available in different colours, structures and designs. The creative possibilities are consequently limitless. For optimal results, however, a correct installation of the carpet planks is an absolute must. So follow the installation instructions carefully.

One of the most important advantages of carpet planks is the ease and flexibility with which they can be installed or replaced. Installing carpet planks moreover means savings in costs thanks to the smaller cutting loss by comparison with fitted carpets or other floor covering.

### 01 Preparation

#### Packaging

Each box contains 2.5 m<sup>2</sup> of carpet planks.

Place the boxes on a flat surface in the room where the carpet is to be installed. Open the boxes on the top or on the side and make sure that the carpet planks are acclimatized for at least 24 hours before installation. We recommend that planks should be carefully blended from at least 3 or 4 different boxes.

#### Inspection

The quality, colour and batch number are mentioned on each box. This information, together with the arrow that indicates the pile direction can be found on the backside of each carpet plank. For an even result, it is very important to use planks from the same batch in one and the same room. You must therefore always check the material delivered before proceeding to install the planks.

#### Environmental conditions

Whilst waiting to install them, store the planks in a closed room where the temperature is between 15°C and 25°C and the relative humidity  $\pm$  60 %.



Perfect Flooring. In one easy step.  
[www.ukflooringdirect.co.uk](http://www.ukflooringdirect.co.uk)

## Substrate

The carpet planks can be installed on every floor provided that it is dry, clean, greaseproof, sturdy and even. Residues of previous floor covering must be removed.

The substrate must be stabilised and dry and must comply with the requirements of the national construction standards and requirements. The temperature of the substrate must be between 10°C and 25°C, and the humidity may not exceed 5%.

## Underfloor heating

In a room with underfloor heating, the underfloor heating system must be switched off at least 24 hours before the carpet is installed. It can then be gradually brought back up to temperature ( $\pm 5^\circ \text{C}/\text{day}$ ), 48 hours after the carpet planks are installed. Make sure that the heating circuit is completely waterproof.

## 02 Installation of the carpet planks

### Installation

All carpet planks are made so as to be installed separately.

No permanent gluing is needed to install the carpet planks, so we recommend that release adhesive be used. These types of adhesive have a lasting, non-hardening tacky effect once cured.

Make sure that the carpet planks are installed tightly against each other; the backing must fit closely and the piles may not be squeezed. If the carpet planks are pressed too tightly, lumps and warps can occur.

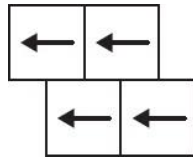
It is best to start from the door opening when installing the floor. A complete plank is installed at the door opening, continuing further until the middle of the room, in parallel with the main wall. This midpoint serves as the point of departure for the subsequent step-by-step installation of each plank.



Perfect Flooring. In one easy step.  
[www.ukflooringdirect.co.uk](http://www.ukflooringdirect.co.uk)

## Pile direction

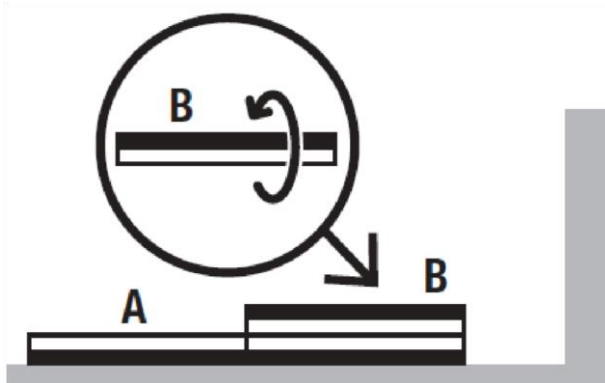
An arrow on the backside of the plank indicates the pile direction, and can be used to install the product in the same direction:



## Cutting the planks

To finish the room, the carpet planks will in most cases have to be cut to measure by using a utility knife. Carpet planks are cut on the backing.

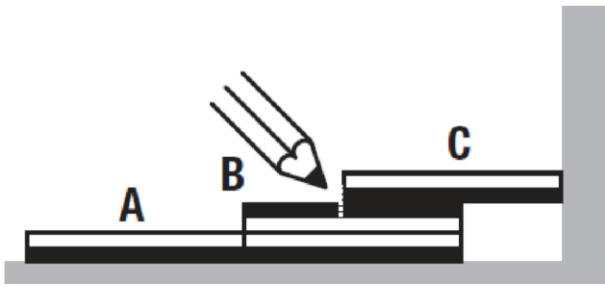
Place Plank B to be cut precisely on Plank A. Use an extra plank (C).



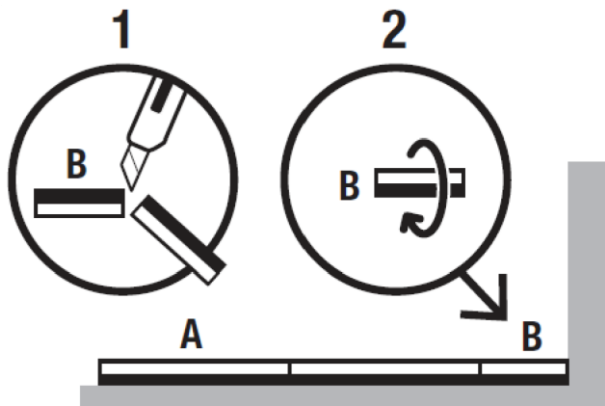
**UK FLOORING  
DIRECT**

Perfect Flooring. In one easy step.  
[www.ukflooringdirect.co.uk](http://www.ukflooringdirect.co.uk)

Push the latter up to the wall over Plank B.



Now indicate on Plank B where you have to cut. Finally, install the cut Plank B in the space between the wall and Plank A.



Perfect Flooring. In one easy step.  
[www.ukflooringdirect.co.uk](http://www.ukflooringdirect.co.uk)

## Floor protection during installation

Make sure that the floor covering just installed is sufficiently protected if the room still has to be used by other workers. So do not place any furniture on the floor during the installation. Move heavy furniture on hardboard plates to prevent the carpet from getting damaged.

## 03 Conditions

A maximum of 100 m<sup>2</sup> can be installed in advance for each installation for assessment purposes. If a party concerned should report any deviation from the original specifications and/or a production error is detected. Please contact UKFD before proceeding with the further installation of the carpet planks.

The guarantee may no longer apply if the installation instructions are not followed. UKFD cannot be held liable for errors resulting from unprofessional installation.

The guarantee shall apply only if the carpet is used under normal circumstances (correct installation and maintenance).



Perfect Flooring. In one easy step.  
[www.ukflooringdirect.co.uk](http://www.ukflooringdirect.co.uk)