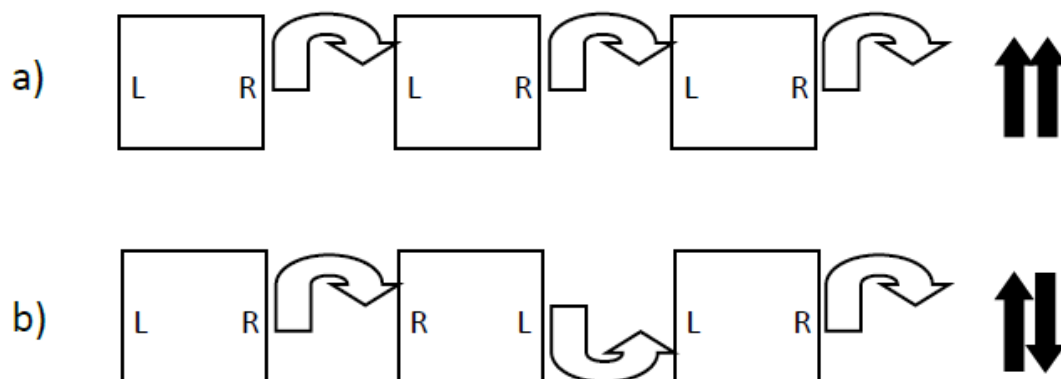


Installation Guide

Vitality Sheet Vinyl

Preparation

- Acclimatisation should take place in the room it is being installed in for at least 24 hours.
- Recommend cutting the sheet vinyl to size at least 24 hours prior to installation.
- The room should be 18 - 27°C during installation.
- After installation, the room temperature should not be below 2°C or above 40°C.
- Vinyl rolls should be stored either vertically or in a flat horizontal position and should not be stacked on top of each other.
- We recommend that you always use materials from a single colour bath/batch in one room, as we cannot guarantee a 100% match between different colour batches.
- If a room or an area is smaller than 12m² (Nova 16m², Aquarius & Pegasus 24m²) without any rolling furniture (e.g. dining-or office chairs) and the vinyl can be installed in one sheet, or one piece, then either a loose or fully bonded installation can be used.
- If a room or area is larger than the areas stated above or there is rolling furniture (e.g. dining or office chairs), or if the vinyl cannot be installed in one sheet, or one piece, then a fully bonded installation is recommended.
- When cutting to size please consider the nature of the design and pattern. In the case of wood and tile styles we recommend that every sheet is installed in the same direction (a). In the case that the design is one, all-over colour or design, we recommend that every sheet is rotated through 180° (b). If there is doubt, we advise to check with your Furlong representative.



Subfloors

- Vitality sheet vinyl can be laid on concrete, cementitious screed, anhydrite or gypsum based (calcium sulphate) screed, timber or chipboard.
- Any irregularities in the sub-floor will show through the finished floor. The sub-floor must be hard, smooth, clean, dry, free from contamination, surface or structural defects and fit for the occupational use.

- Where required, scrape off and remove old adhesives and loose-laying or deboned levelling compound. Make sure the subfloor is flat and free from any contamination that make cause bonding issues, migration or discolouration.
- A suitable levelling compound should be selected to ensure that no irregularities show through to the surface of the finished floor.
- Direct-to-earth concrete sub-floors must have an effective damp proof membrane (DPM) incorporated within the structure, in accordance with the relevant standards and regulations for “new-build” construction.
- The moisture content of the subfloor:
 - Unheated cementitious screeds less than 75% relative humidity
 - Underfloor heated cementitious screeds less than 75% relative humidity
 - Unheated anhydrite (calcium sulphate) screeds less than 0.5CCM%, tested by Calcium Carbide Method
 - Underfloor heated anhydrite (calcium sulphate) screeds less than 0.3CCM%, tested by Calcium Carbide Method

Underfloor Heating (UFH)

- Vitality sheet vinyl can be used with traditional water-based under-floor heating (UFH) systems, provided there is a lower constant room temperature of 18°C for the acclimatisation period, installation and 72 hours after installation.
- The UFH must be turned off or down to a subfloor temperature of 15°C 24/48 hours prior to installation, during the installation and for 72 hours after the installation.
- The underfloor heating must be then re-commissioned, gradually increased by increments of 3°C to 5°C per day, until it reaches the standard operating temperature conditions with a maximum subfloor interface temperature of 27°C.
- For suitability of the system please refer to the manufacturer’s instructions.

Underfloor Cooling

- Vitality sheet vinyl can also be installed over floor cooling systems.
- The supply temperature of the cooling water must not be reduced below the dew point temperature. Temperatures below this will produce condensation and can therefore damage the floor covering.
- Thermostats in the room must never be set at a temperature which is more than 5°C lower than the room temperature.

Step by Step Fitting Instructions, Using Adhesives

1. Place the sheets in position, cut seams with the double-cut method and trim to size.
2. Fold back half of the sheet to reveal the subfloor ready for the application of the adhesive. Prior to using the adhesive read the supplier instructions. Spread the right amount of adhesive evenly, with a notched trowel, over the subfloor. After applying the adhesive and in accordance with the instructions, allow the adhesive to partially dry (open time) until it reaches its initial bonding strength, before returning the floorcovering into place.

3. Install the floor covering sheet avoiding bubbles, compressions and tensions. Check that the seam junctions are closed tightly together. Do not try to compress seams that cause tenting. The tenting is an indication that the sheets are not placed together correctly and are too tight.
4. Remove any bubbles with a rubbing block or similar, rubbing from the inside, centre, to the outside. Use a flooring roller to ensure full contact with the adhesive and the flattening of the adhesive serrations, this should be done before the adhesive has fully dried.
5. Repeat steps 1 to 4 with the second half of the sheet.
6. Check all seam junctions and repeat the rubbing and rolling process, as described in 3 and 4.
7. Welding the seam together is recommended.

Welding

Cold welding is the only option for ensuring closed and tight seams in.

Sealants

In residential “new-build”, it is common practice for resilient flooring to be retrospectively sealed around skirtings and the like to achieve an air-tight seal for pressure and leak testing.

Protection

Furlong Flooring sheet vinyl should be protected from trafficking for 24 hours after installation and for heavy traffic for 72 hours after installation, in order to allow the adhesive to stabilise at a consistent temperature between 18-27°C.

First Contact with Water

Prevent the floor from coming into contact with water for the first 72 hours after installation, or until such time as all seams are welded and the adhesive is fully cured (normally 72 hours).